

1

2

3

4

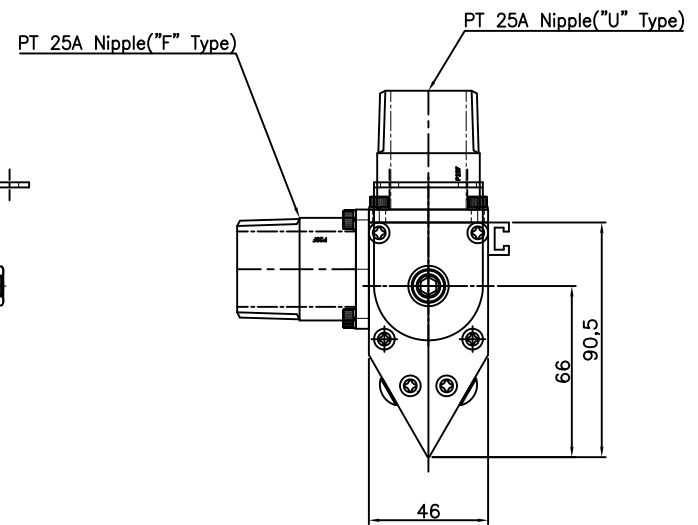
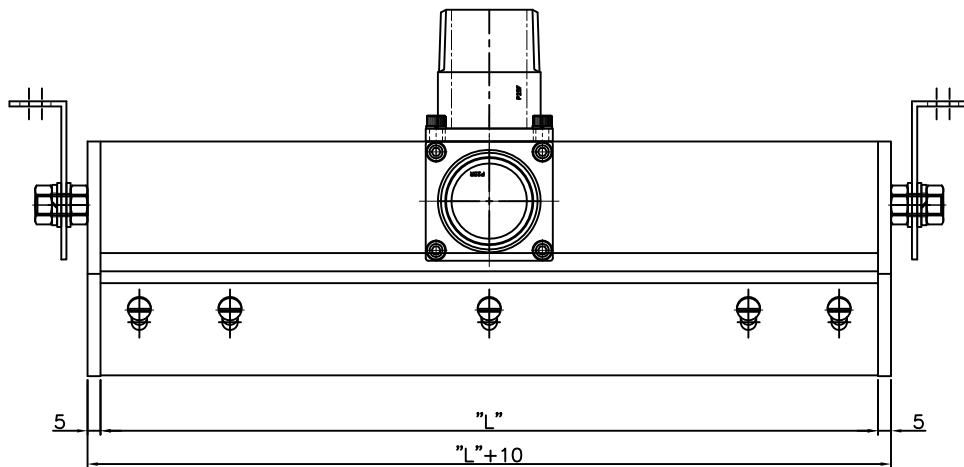
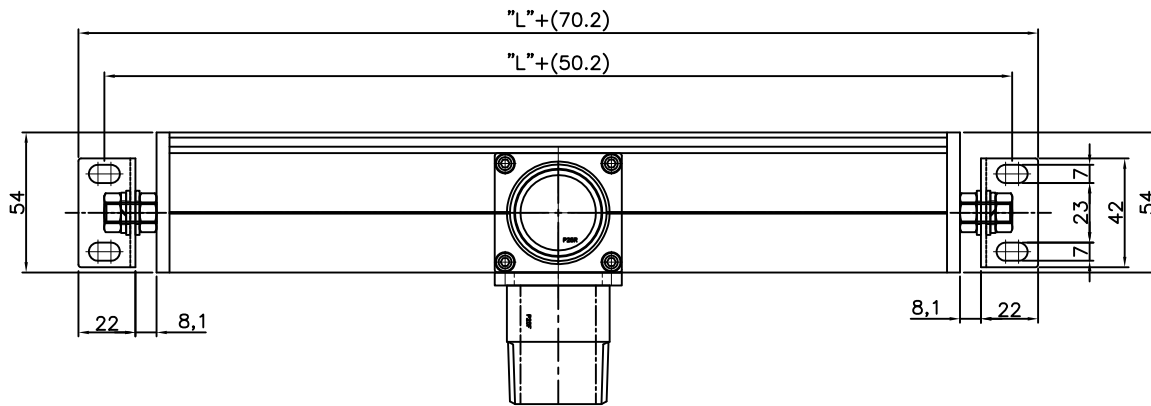
5

6

7

8

RevNo	Revision note	Date	Reviser	Checked
-------	---------------	------	---------	---------



No	Description	Specification	Q'ty	Material	Weight	Remark
Designed	Checked	Approved	Size	Filename	Date	Scale
			A4			1/1
Customer			Title			
			Air knife Ass'y			
Maker			Air knife(25A-1-"U1", "F1" Type)			
			drawing no.		Edition	
					0	

1

2

3

4

5

6

7

8

A

B

C

D

E

F

A

B

C

D

E

F